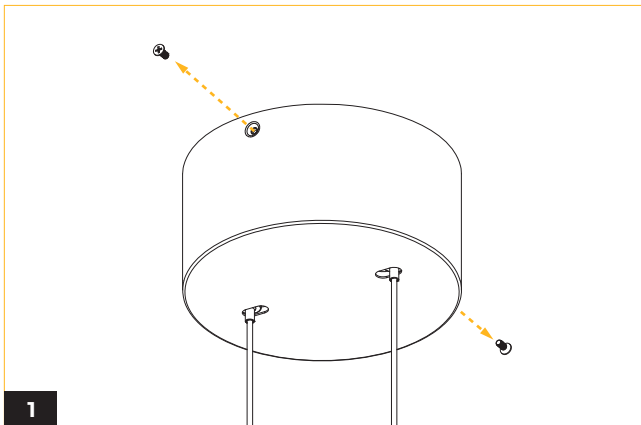


IMPORTANT SAFETY INFORMATION READ AND FOLLOW ALL SAFETY INSTRUCTIONS

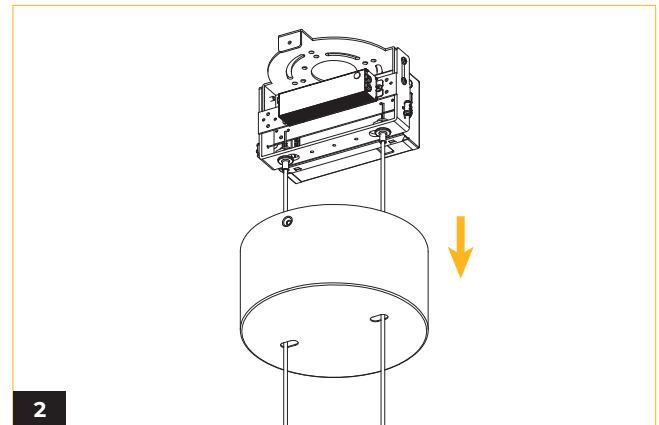
**FOR FIELD ASSISTANCE PLEASE CALL
+1-213-255-2060 #4**

- Before wiring to power supply and during servicing or relamping, turn off power at fuse or circuit breaker.
- All servicing or relamping must be performed by qualified service personnel.
- Product must be grounded to avoid potential electric shock or other potential hazard.
- Product must be installed at locations and heights, in a manner consistent with its intended use, and in compliance with electrical code and local codes.

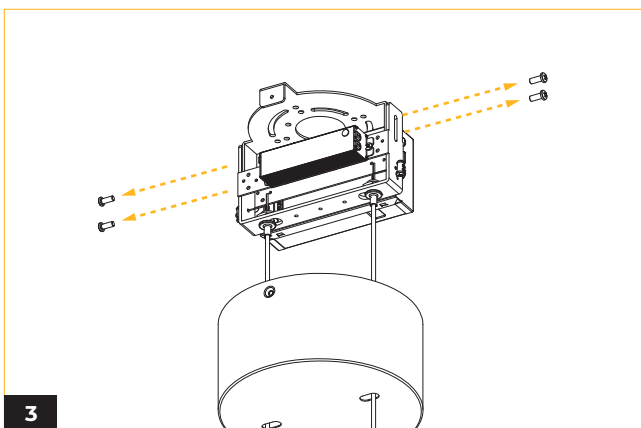
SAVE THESE INSTRUCTIONS FOR FUTURE REFERENCE



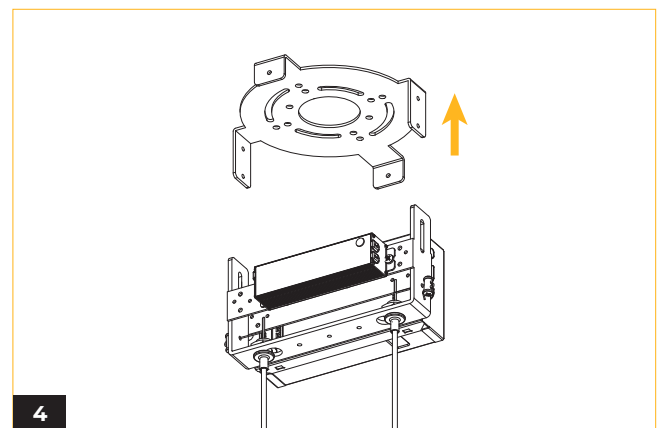
Remove the screws located on both sides of the canopy.



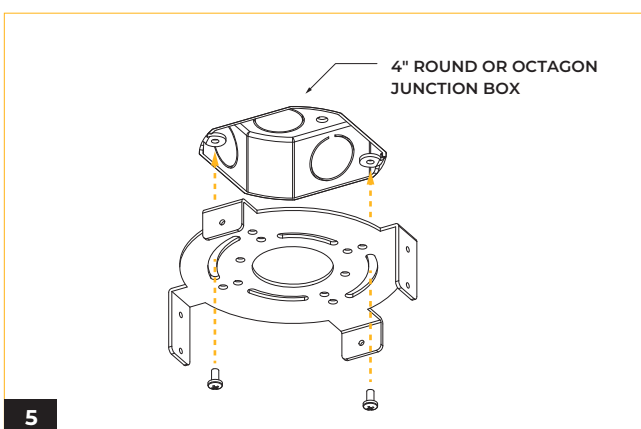
Slide the canopy downward to detach it from the assembly.



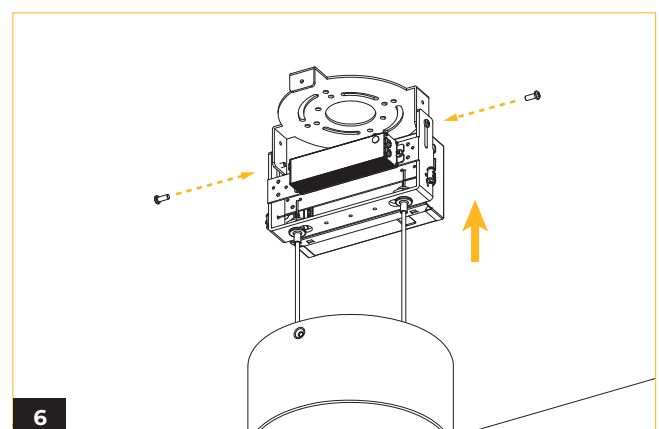
Remove the two screws on both sides of the Power Module.



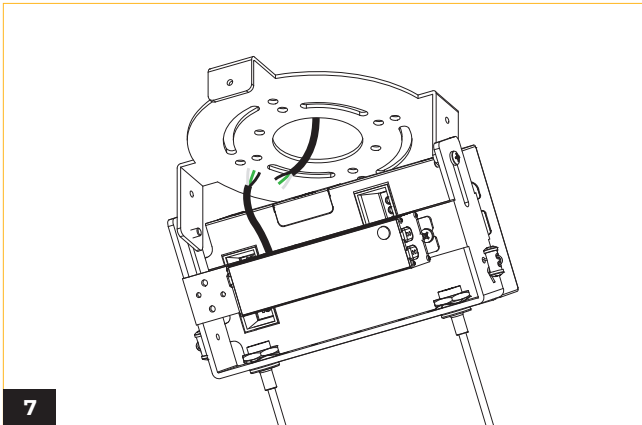
Remove the ring plate located on top of the fixture.



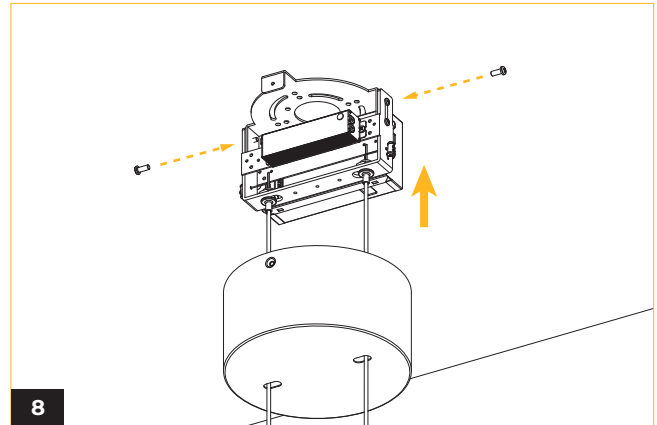
Align the ring mounting plate with the junction box (by others) and secure it using the provided screws.



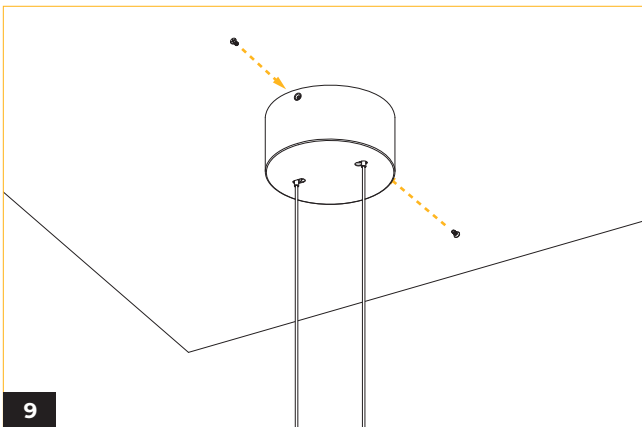
Align the Power Module with the ring mounting plate and secure it by tightening the lower screws on both sides.



Make the electrical connections between the junction box and the Power Module according to the wiring diagram.

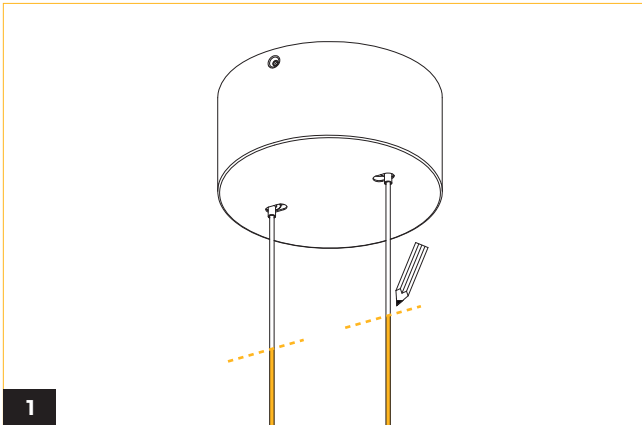


Push the Power Module upward until it sits flush, then secure it using the upper screws on both sides.



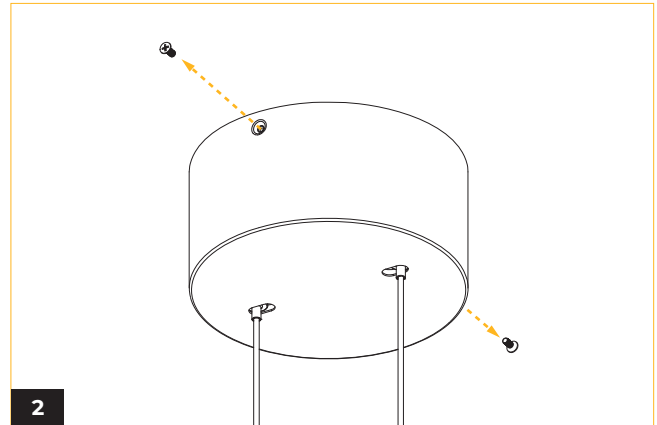
Slide the canopy back and secure it using the side screws.

RIO 6 CABLE LENGTH ADJUSTMENT



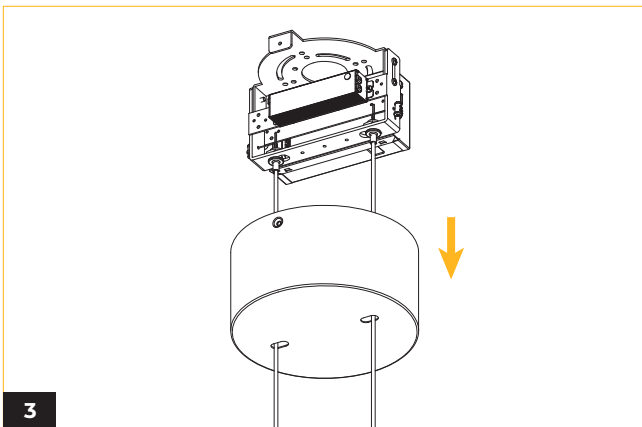
1

If the excess cord length is less than 6", push it into the canopy to conceal it; if it exceeds 6", it must be trimmed to the desired length. Mark the desired length on the cord.



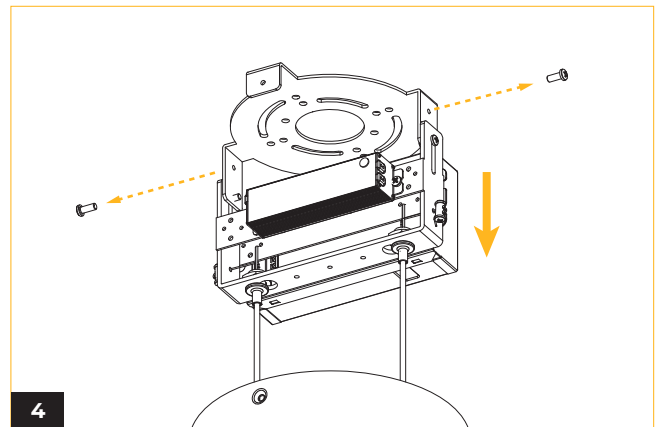
2

Remove the screws located on both sides of the canopy.



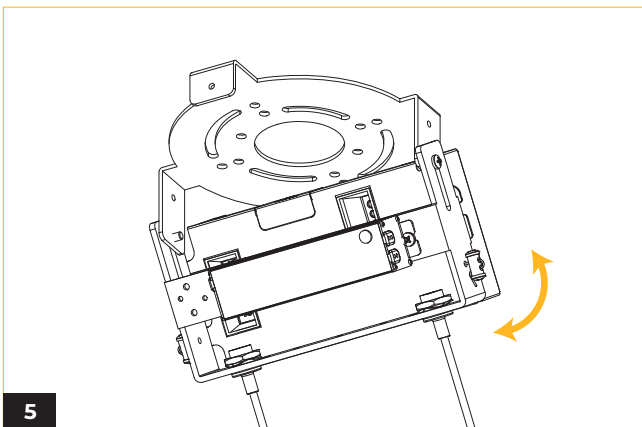
3

Slide the canopy downward to detach it from the assembly.



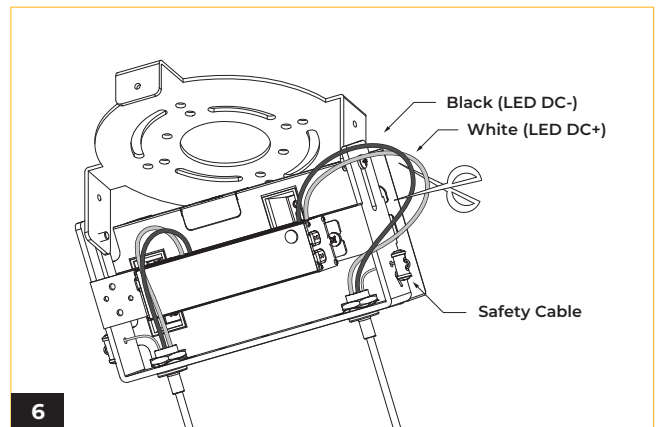
4

Remove the upper screws on both sides of the Power Module to allow the bracket to slide downward.



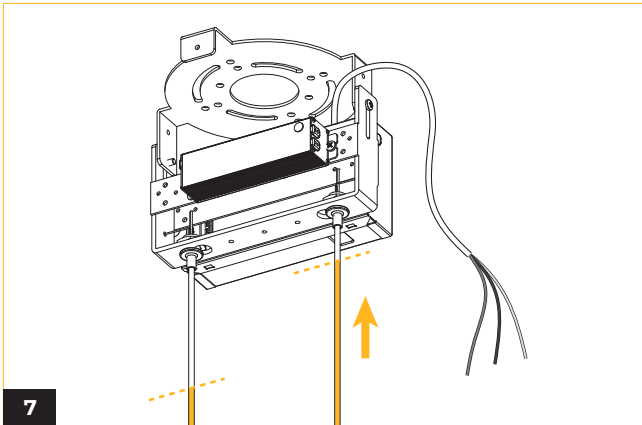
5

For better access to the internal wiring, gently rotate the Power Module.

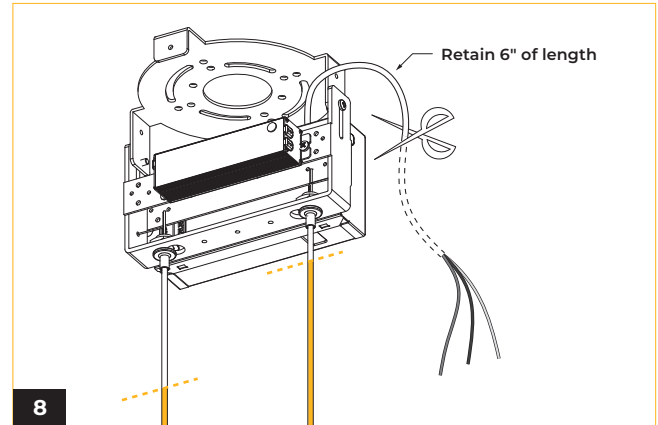


6

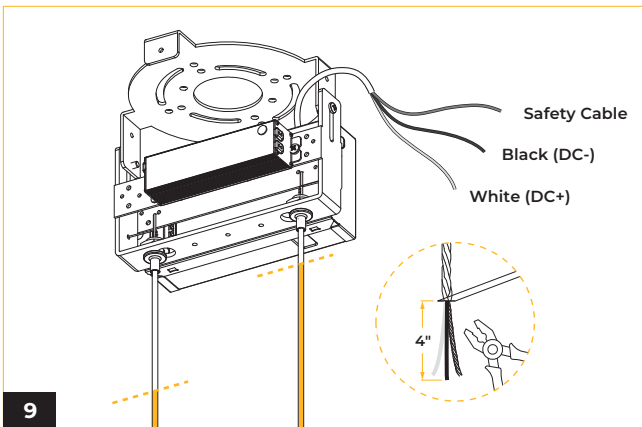
Detach the safety cable, then cut the white and black wires inside the thin cord mounting cable to disconnect power.



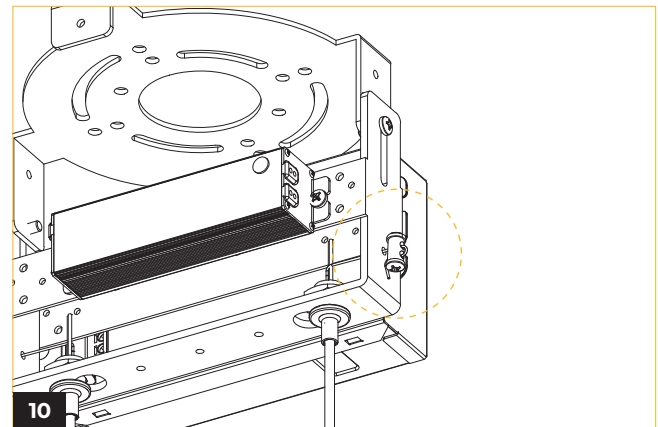
Push the cable upward to the alignment mark; excess cable will feed out from the inside of the bracket.



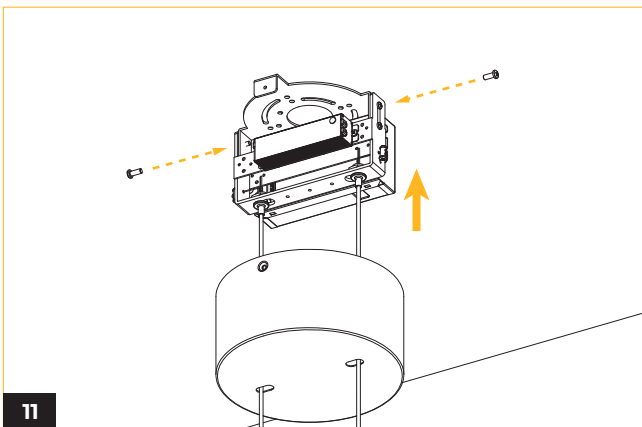
Leave 6" of cable for connection, then trim the excess length.



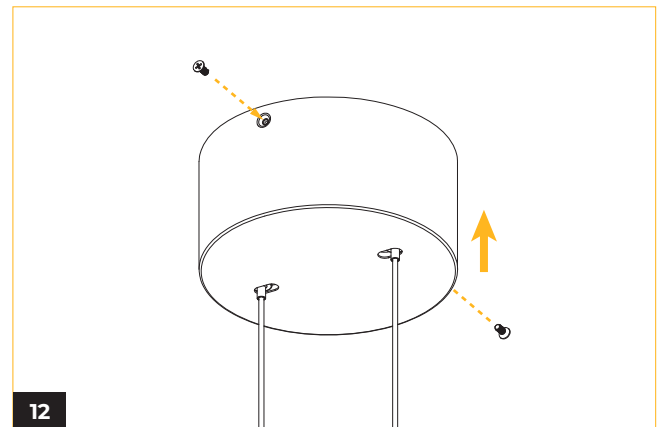
Strip 4" of the outer cable jacket, then reconnect the white (DC+) and black (DC-) wires to the power module.



Reconnect the safety cable, then repeat the previous steps to trim the excess length of the other mounting cable.



After adjusting both cable lengths, secure the power module bracket by pushing it upward and tightening the upper screws on both sides.

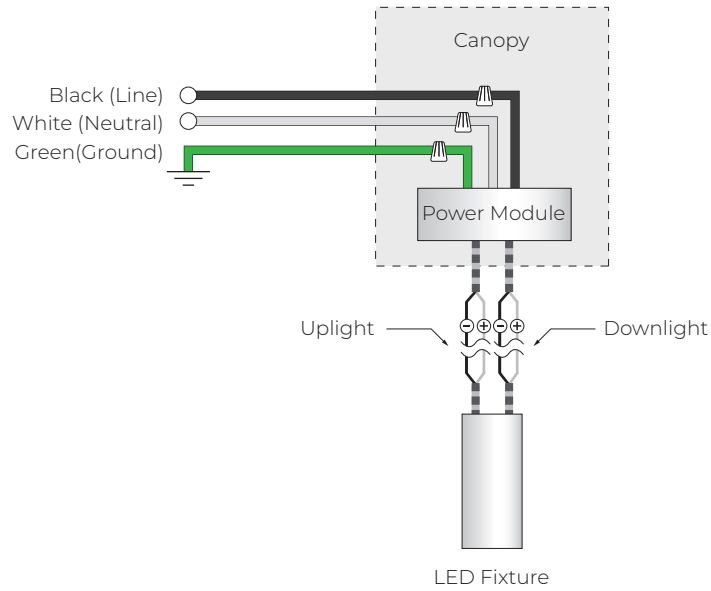


Slide the canopy cover back into place, then secure it with screws on both sides.

WIRING DIAGRAM

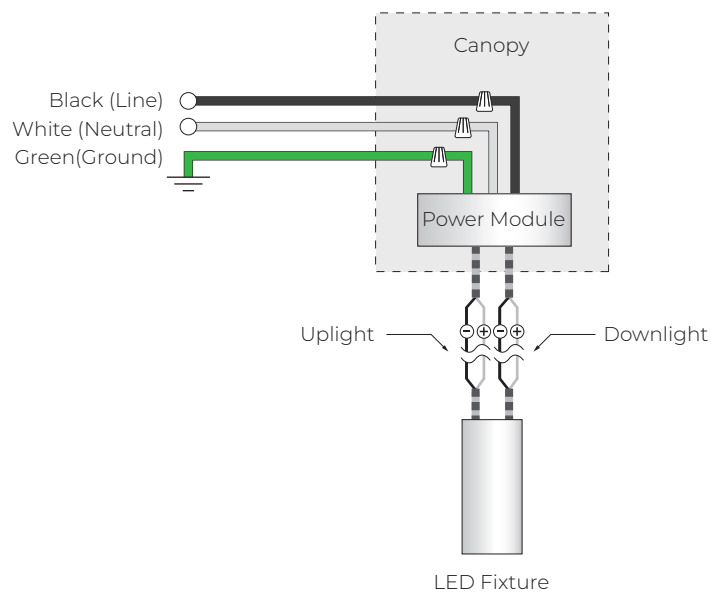
Non-Dimming

*Not to scale



TRC

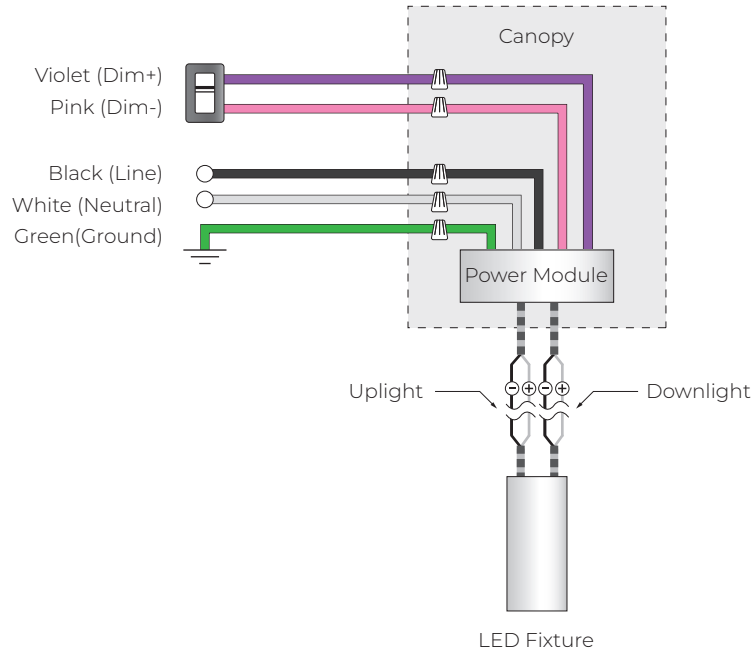
*Not to scale



WIRING DIAGRAM

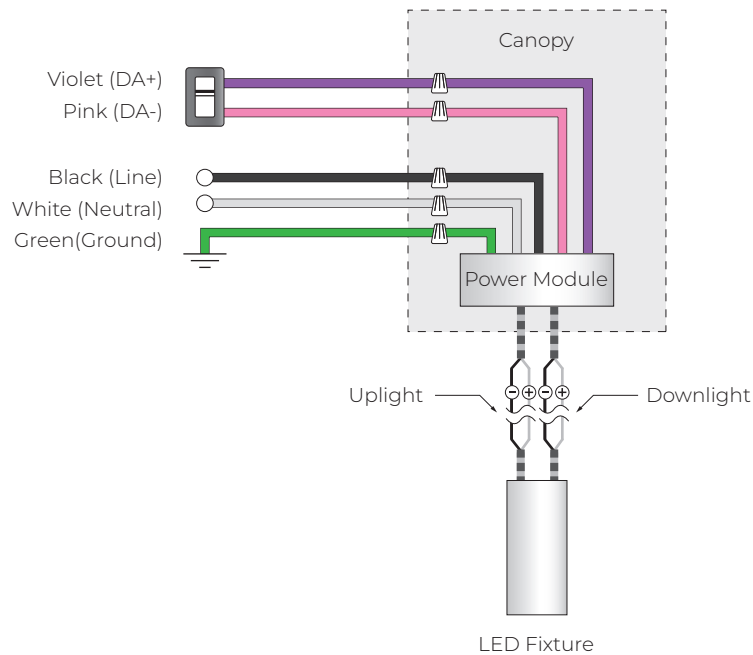
SPVS

*Not to scale



DALIS/DALID

*Not to scale



WIRING DIAGRAM

SPVD

*Not to scale

