

SP-018

SOLAR LED BOLLARD

Housing

Diameter : Ø8" | Height : 38.5" | Weight : 44.1 lbs

Material

Housing: Extruded aluminum

Operation Time

The solar LED bollard can operate for a minimum of 12 hours per day (dusk to dawn)

Required Charge Time

Required charge time is 3-4 hours under direct sunlight, or 5-8 hours under overcast weather conditions for full battery capacity.

Battery Capacity

At full battery capacity, the luminaire can operate continuously for 3 to 4 days under overcast weather conditions

Finish

Black



Gray



Platinum silver

Rated Life

> 100,000 Hours (L70)

Color Temperature

3000K



4000K



5700K



Amber

Distribution

Narrow



Wide

Anchorage

Surface Mounted



Embedded

Warranty

3 Year limited warranty

Listing

IP65



Architectural, Functional and Green Renewable.

Meteor's Solar LED bollard is the perfect architectural grade bollard for renewable and low maintenance applications. Featuring a smart motion sensor, variety of optic selections, and color temperature options, these Solar LED Bollards make it ideal for applications such as resorts, off-road hiking trails, shopping malls, and other exterior applications.



SPECIFICATION SHEET

SP-018 SOLAR
LED BOLLARD



SPECIFICATION

PROJECT NAME

DATE

CATALOG #

QUANTITY

<input type="text"/>	MODEL	SP018 SP-018	SP018S SP-018s
<input type="text"/>	CCT / CRI	30K 3000K AMB Amber	40K 4000K 57K 5700K
<input type="text"/>	FINISH*	BLK Black	GRY Gray PTS Platinum Silver
<input type="text"/>	DISTRIBUTION	NR Narrow	WD Wide
<input type="text"/>	ANCHORAGE	AKE Embedded	AKS Surface Mounted
<input type="text"/>	OPTIONS	1S 1 Sensor	4S 4 Sensor

* Uses high corrosion-resistant materials for the coating and sealant to prevent damage from long-term exposure to saltwater environment

SPECIFICATION SHEET

SP-018 SOLAR LED BOLLARD

METEOR

TECHNICAL DETAILS

Electrical

- Operating Temperature: -40°F~176°F
- Solar Panel: Crystalline silicon, Lifespan: 20 years
- Power Storage: Panasonic industrial battery pack, Lifespan: 8 - 10 years

LED Features

- Color Temperature: 3000K, 4000K, 5700K, Amber
- Long lasting LED luminaire tested under TM21 lumen maintenance L70 @ 100,000 Hrs

Operational

- Require charge time is 3-4 hours under direct sunlight, or 5-8 hours under overcast weather conditions.
- The solar LED bollard can operate for a minimum of 12 hours per day
- With a full charge, the unit can operate continuously for 3 to 4 days, even during rainy weather.
- Auto photo sensor switch: Dimming mode is set at 33% brightness and lights to 100% brightness for 1 minute when motion sensor is activated.
- On/Off Sensor: Luminaire auto turns on at 1.5fc / auto turns off at 3fc

Optics

- Distribution: Narrow, Wide

Housing

- Diameter: Ø8" (SP-018, SP-018s)
- Height: 38.5" (SP-018), 22.36" (SP-018s)
- Material: Extruded aluminum
- Finish: Black, Gray, Platinum silver
- Weight: 44.1 lbs (SP-018), 33.1 lbs (SP-018s)
- Anchorage: Anchor base with stainless steel anti-theft screws

Mounting

- Embedded
- Surface mounted

Warranty

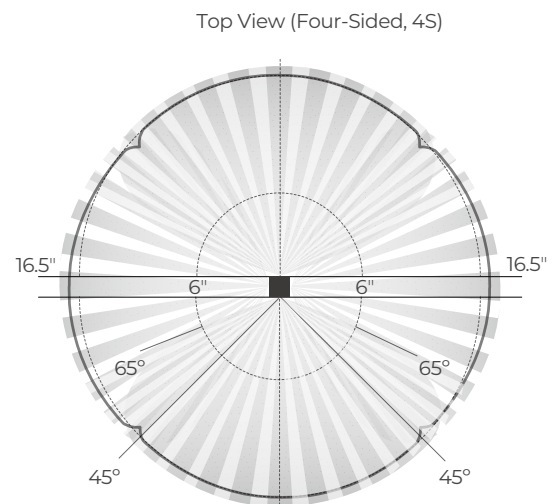
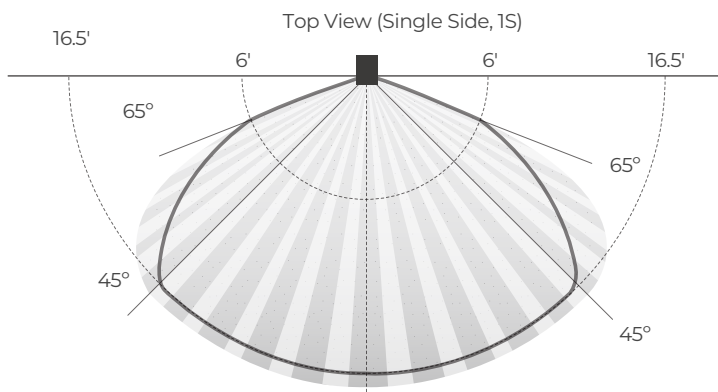
- 3-year limited warranty

Listing

- IP65
- FCC

MOTION SENSOR DETECTION

SP-018 Smart Solar Illuminating Bollard incorporates the latest infrared motion sensor. Dimming mode is set at 1/3 brightness and lights to 100% brightness for 1 minute when motion sensor is triggered. The high performance motion sensor detects abrupt changes in temperature within a 16.5ft radius. Movement within designated radius is necessary to trigger sensor to turn on.

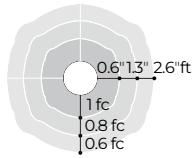


SPECIFICATION SHEET

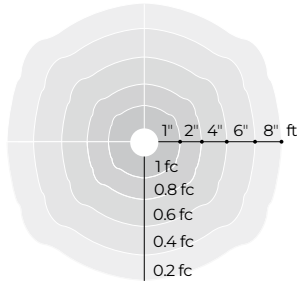
SP-018 SOLAR LED BOLLARD



DISTRIBUTION



Narrow



Wide

DIMENSIONS

